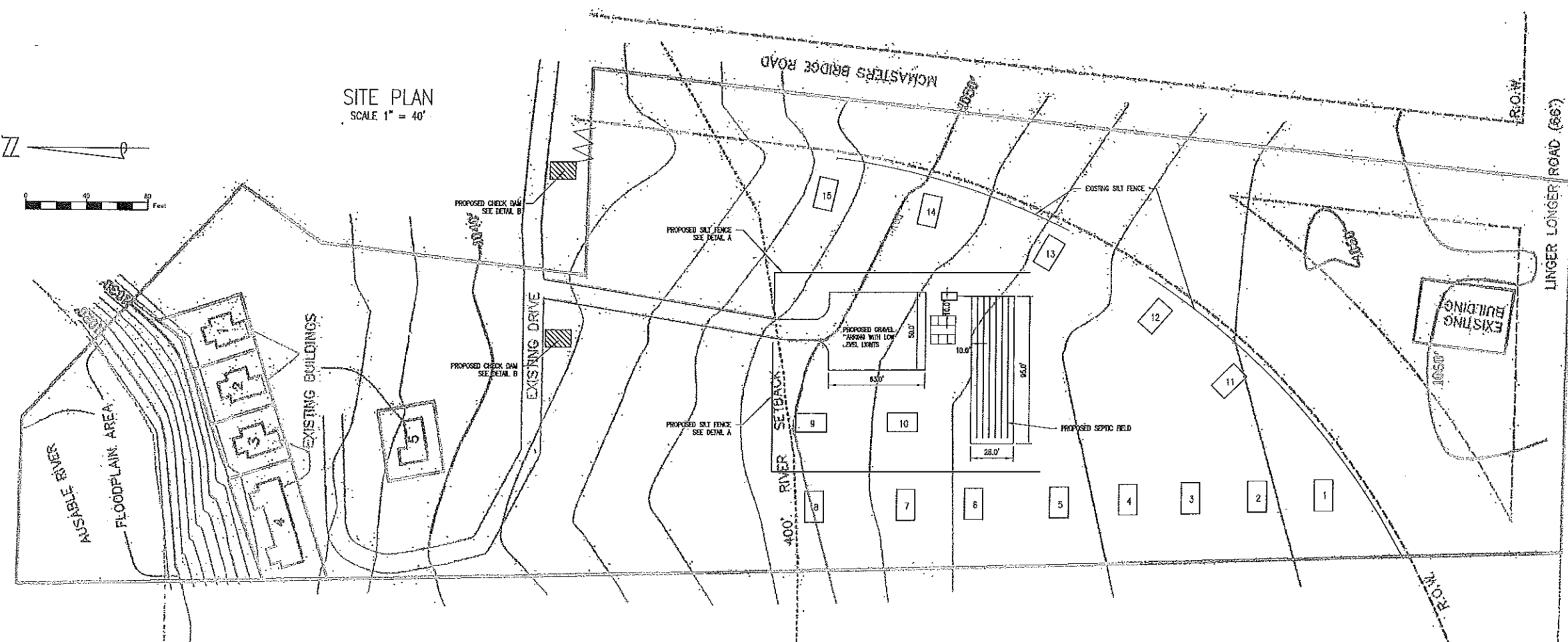
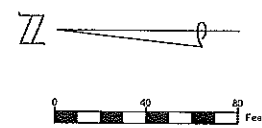
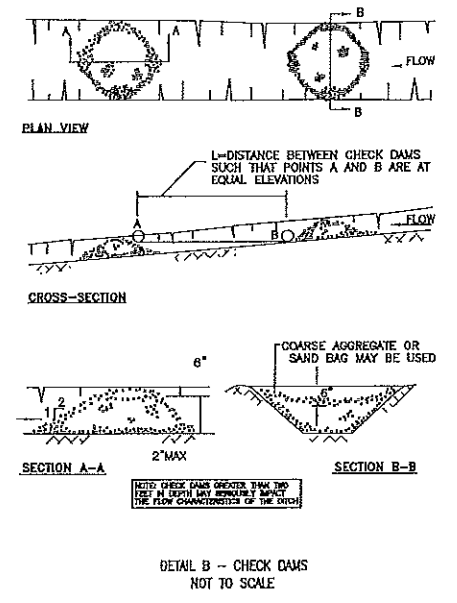
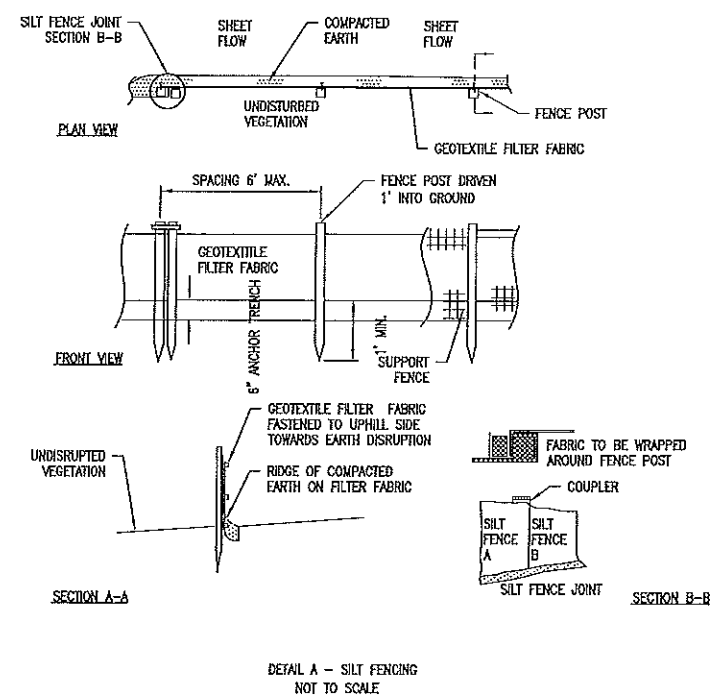


**SITE PLAN**

**SITE PLAN**  
 SCALE 1" = 40'



- NOTE:**
1. AREA OF DISTURBANCES ARE LIMITED TO AREAS OF PROPOSED DRIVES, PARKING AND DRAIN FIELD. ESTIMATED AREA OF DISTURBANCE IS 0.30 ACRES.
  2. 2 LINES OF SILT FENCE IS TO BE INSTALLED AS DISPLAYED IN THE SITE PLAN, ESTIMATED TOTAL LENGTH OF 450'. SEE DETAIL A FOR INSTALLATION.
  3. 2 CHECK DAMS ARE TO BE CONSTRUCTED AS DISPLAYED IN THE SITE PLAN. SEE DETAIL B FOR INSTALLATION.
  4. EXISTING SILT FENCE CONSTRUCTED AS SHOWN ON SITE PLAN PER COUNTY SOIL EROSION PERMIT.
  5. ADDITIONAL SILT FENCE TO BE PLACED AS DIRECTED BY ENGINEER IF AREAS OF DISTURBANCE ARE MODIFIED DURING THE COURSE OF CONSTRUCTION



**SOUTH BRANCH TOWNSHIP**  
**EXHIBIT # 13-PC-2017-02.1**

DRAWING PATH: C:\Users\pfraser\OneDrive - OHM Advisors\Desktop\Gapple Field Design\Soil Erosion\Soil Erosion.dwg, Mar 22, 2018 - 5:41 pm

COPYRIGHT 2017 OHM ALL DRAWINGS AND WRITTEN MATERIALS APPEARING HEREIN CONSTITUTE THE ORIGINAL AND UNPUBLISHED WORK OF OHM AND THE SAME MAY NOT BE REPRODUCED, COPIED, DISTRIBUTED OR DISCLOSED WITHOUT PRIOR WRITTEN CONSENT OF OHM.